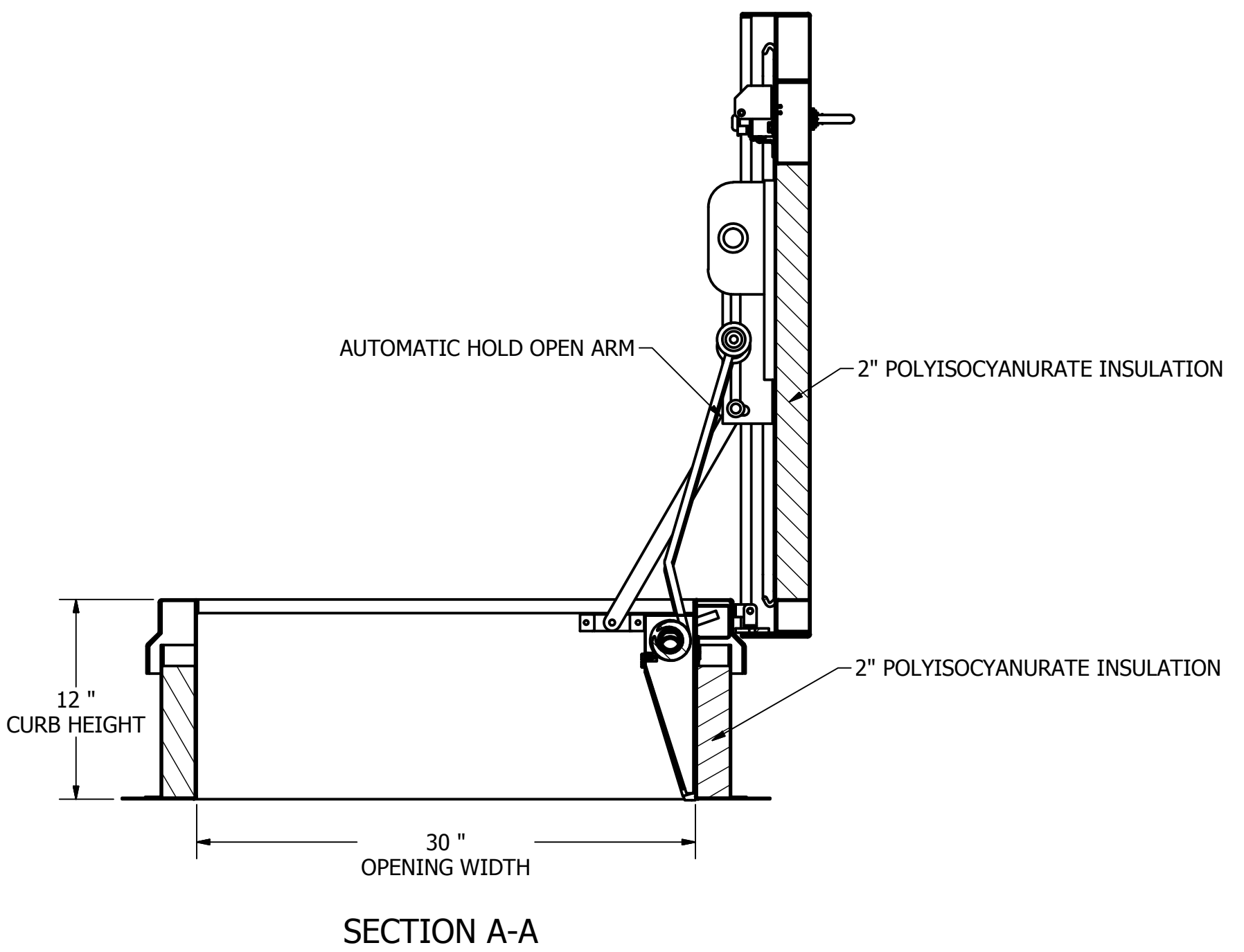
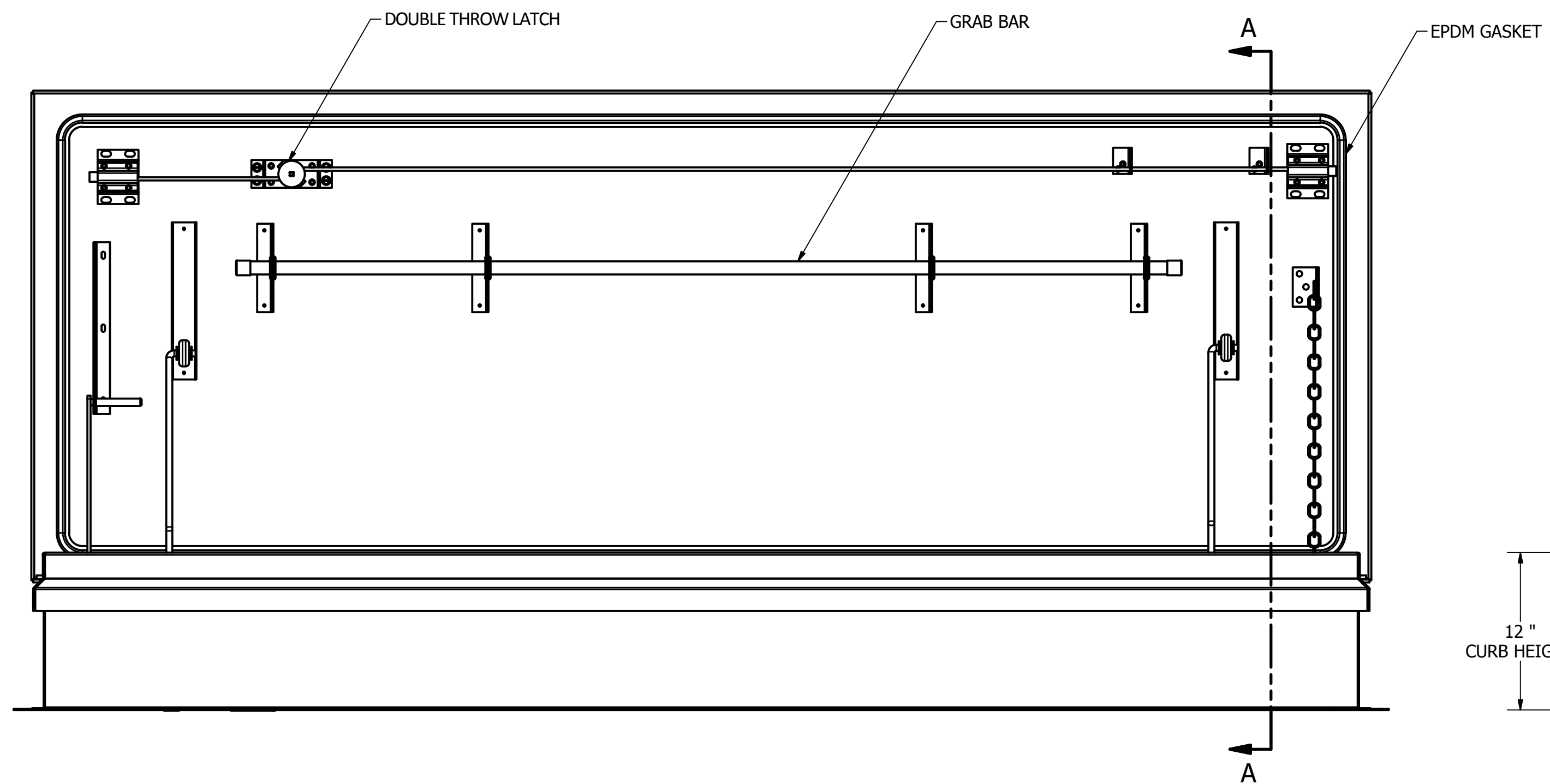


NOTES:
 SIZE: RD-2'6"X8'0"
 1) 40psf COVER LIVE LOAD RATING
 2) MILL FINISH
 3) MATERIALS:
 .090 ALUMINUM, COVER
 .090 ALUMINUM, CURB
 .090 ALUMINUM, COUNTER FLASHING
 .063 ALUMINUM, COVER LINER
 .063 ALUMINUM, CURB LINER



ORDER WILL NOT BE RELEASED FOR FABRICATION UNTIL SIGNED COPY IS RECEIVED.

VERIFICATION AND APPROVAL OF GENERAL ARRANGEMENT AND OVERALL DIMENSIONS FOR THIS DOCUMENT ARE REQUIRED BEFORE THE ORDER IS ENTERED FOR MANUFACTURING.

APPROVAL SIGNATURE _____

TITLE HELD _____

DATE OF APPROVAL _____

DRAWN	CMD	3/9/2015		
CHECKED	MILCOR		TITLE	
QA	TOLERANCE		RD-3 EE SINGLE LEAF ROOF HATCH	
MFG	UNLESS SPECIFIED			
APPROVED	.XXX	± 0.005"	SIZE	D
	.XX	± 0.01"	DWG NO	3501-138-9EE
	FRACT.	± 1/16"	SCALE	1" = 1'
	ANGLES	± 1'	SHEET 1 OF 1	